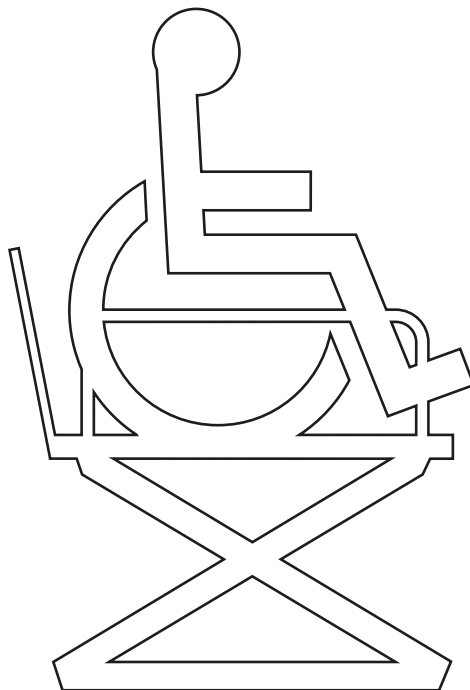


GB LP5 & LP5+ Lifting platform



Vers. 11.1



LP5 & LP5+

Item numbers:

LP5: 13050-xxx

LP5+: 13056-xxx

1.00	Purpose and use	3
1.01	Manufacturer	3
1.02	Purpose and use	3
1.03	Important/warnings	4
1.04	Unpacking and preparation	4
1.05	Safety rules	5
1.06	Assembly	5
1.07	Platform installation	6
1.08	Recessing the Platform	7
1.09	Electrical connection	8
2.00	Description of functions	8
2.01	Labels	8
2.02	The operating panel	9
2.03	Safety functions	10
2.04	Accessories	13
3.00	Dismantling and transport	13
3.01	Transport	13
3.02	Packaging during transport	13
4.00	Maintenance and storage	14
4.01	Cleaning	14
4.02	Storage and keeping	14
4.03	How is corrosion avoided?	14
4.04	What maintenance is required by the owner?	14
5.00	Servicing and useful life	14
5.01	Useful life and servicing	14
5.02	General inspection	15
5.03	Troubleshooting	16
6.00	Technical specifications	17
7.00	EC-declaration of conformity	18
8.00	Warranty and service conditions	18
A.	Warranty	18
B.	Service or Repair	19

1.00 Purpose and use

1.01 Manufacturer

V. Guldmann A/S
Graham Bells Vej 21-23A
DK-8200 Aarhus N
Denmark
Tel. + 45 8741 3100

1.02 Purpose and use**Purpose of the manual**

The manual describes the standard model with a maximum lifting height of between 500 mm and 830 mm (20" and 32^{1/2}").

Use

The LP5 & LP5+ are designed for permanent installation indoors and outdoors. The lifting platform may be used in temperatures from -10 to +40 degrees.

In temperatures of less than zero, the application of suitable heating beneath the platform is recommended.

The lifting platform can be used by persons with impaired mobility (e.g. walking-impaired, wheelchair users, persons with pushchairs and sack trucks) who have to negotiate height differences where wheelchair ramps are too long or steep, and where an ordinary lift is impractical or too expensive. Access and drive-off are at opposite ends of the lifting platform. To ensure user safety, the entrance ramp functions as an exiting safety stop, and handrails are located on both sides of the LP5 and LP5+.

LP5 and LP5+ can lift up to 830 mm. The lifting interval of the LP5 and the LP5+ can be adjusted between heights of 140-830 mm (5^{5/8}"-32^{1/2}"), depending on local conditions.

Great importance is attached to the design and implementation to achieve attractive and harmonious installation in different environments, private and public. Public environments are institutions, public buildings, etc., where the lifting platform is subject to a certain amount of supervision. In these environments, the lifting platform should be locked, protecting it against unintentional use or games.

When the lifting platform is in use, it is understood that the user has been instructed on its use, or that a skilled personnel is present to assist.

1.03

Important/warnings

- All of the operating instructions must be read before the product is used.
- The LP5 & LP5+ must be assembled by the Guldmann Service Team, or by an engineer approved by Guldmann.
- The LP5 & LP5+ are controlled by a microprocessor print which can be damaged by static electricity if touched without the necessary precautions. The electronics must therefore be serviced by trained technicians only.
- The accompanying safety chain must be used when the service engineer moves around beneath the lifting platform.
- The MAXIMUM load of 360 kg (792 lbs.) must not be exceeded.
- The lifting platform and access ramp must be swept clean of gravel, fallen leaves, snow, etc. before use.
- The lifting platform is to be used to transport people, and must be used in accordance with the descriptions in this manual.
- The lifting platform must not be used during fire.
- Safety equipment must only be reset by qualified assistance.
- All playing by and with the lifting platform is forbidden.
- A simple and usable "Emergency procedure" must be described and agreed between the user and the helper. This must ensure that the user does not become trapped on the platform in the event of an electrical or a mechanical failure.

1.04

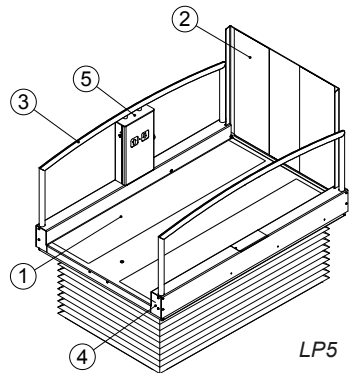
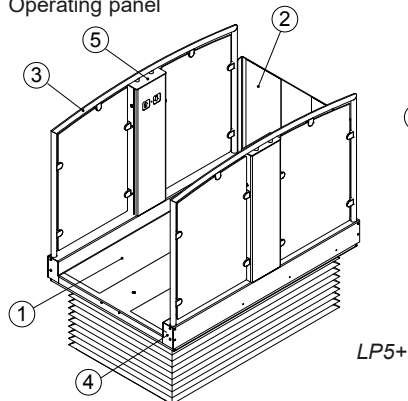
Unpacking and preparation

Visual check

If the packaging is damaged on receipt, the parts of the LP5 & LP5+ must be carefully examined for visible deficiencies, defects, or faults. If damage is suspected, the LP5 & LP5+ must not be used until qualified service personnel or the Guldmann Service Team have approved this.

Contents

1. Lifting platform
2. Access ramp
3. Railing
4. End covers
5. Operating panel



1.05

Safety rules

When working beneath the platform, there is a risk of becoming trapped between the moving parts of the platform. The following safety rules must therefore be observed:

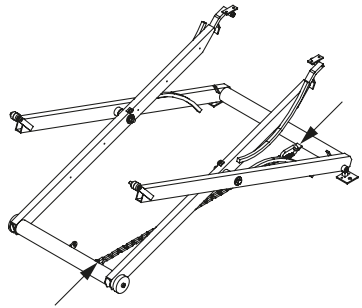
1. The safety chain/strap must always be used while working beneath the platform.
2. The lifting platform must NOT be raised/lowered while work is going on beneath the lifting platform. This applies even if the safety equipment is installed.
3. When the lifting platform is assembled and connected so that it can be raised/lowered, only one person may work on it.

Safety equipment

When working beneath the platform, the safety chain/-strap MUST be used.

The safety chain/strap is fitted between the safety eyelets on the scissors or the two central tubes of the scissors as illustrated in the picture.

When the chain/strap has been fitted, lower the platform until the chain is taut, i.e. until the traction wheel "releases" the curve.



1.06

Assembly

The LP5 & LP5+ must be assembled by the Guldmann Service Team or an engineer approved by Guldmann according to Guldmann's instructions.

As the noise level of the lifting platform is minimal, no steps should be taken to reduce the noise level further during the installation.

NB

The platform must not be activated before the ramp, etc. has been assembled.

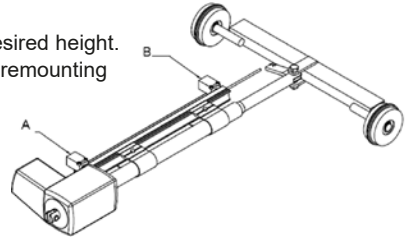
A: Adjusting the lifting height

Loosen the screws and adjust to desired height.
Check the new lifting height before remounting the curtain.

B: Adjusting the lowering height

→ Recessing

Loosen the screws and adjust to desired height.
Check the new lifting height before remounting the curtain.



1.08

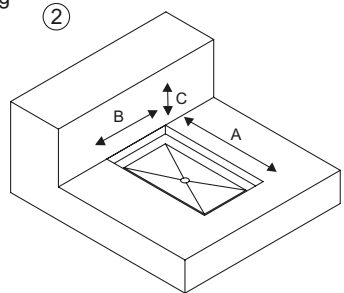
Recessing the Platform

It is possible to recess the platform to provide access without changing levels. If the platform is for recessing, please order it on at special item No. Be aware that when the platform is recessed, the lifting height is reduced by that amount.

Proper drainage must be provided for outdoor recessed installations.

The opening for the recession must be dug in compliance with the illustration (2).

When the platform is mounted with the gate on the upper level (always with lifting height above 500 mm (20")), the hole for the down-building must be extended by the thickness of the gate. See dimensioned sketch (2).



A: Without gate 1640 mm / 66"
With gate 1700 mm / 68"

B: 1130 mm / 45"

C: 140 mm (+20, -0) / 5 5/8" (+3/4", -0")

1.09 Electrical connection

- Input: 100-240V AC, 50-60 Hz
- Maximum consumption: 0.35 A

Connect the platform to the mains network via the fitted rubber cable.
The cable can be used both indoors and outdoors.

- **Brown lead:** Phase lead
- **Blue lead:** 0 lead
- **Green/yellow lead:** Earth clamp

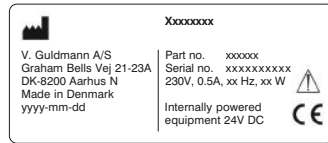
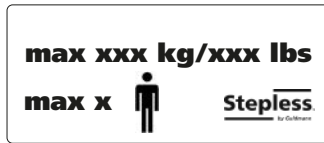
Important!

For safety reasons, the lifting platform must always be earthed.

2.00 Description of functions

2.01 Labels

(positioned on the lifting platform).



Overload label placed at the overload indicator on the operating panel.



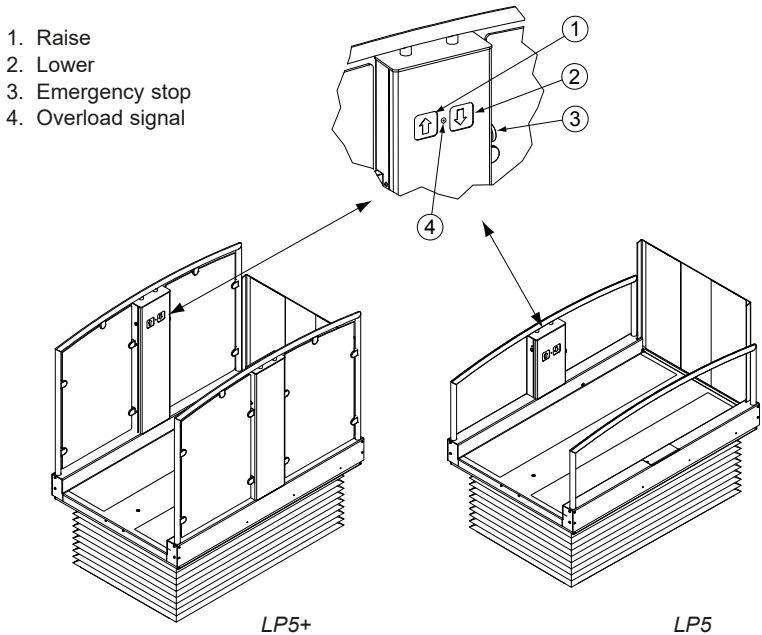
The enclosed disabled sign must be placed by the installer near the landing.

2.02

The operating panel

The lifting platform is operated by means of the operating panel.

The lifting platform is logical and unproblematic to operate and use, even with no prior knowledge.



To raise the lifting platform from its lowest level

1. When the lifting platform is at the lowest level and the access ramp has been lowered to the proper level, wheelchair users can freely drive up on to the lifting platform.
2. Activate the operating panel by pressing (1) to raise the access ramp; this then functions as a guard against rolling off.
3. When the access ramp has been raised to its highest level and (1) is still being pressed, this will raise the platform.
4. When the lifting platform is level with the landing, the platform stops automatically and the user can drive onto the landing.
5. When using the safety gate, it is opened automatically. It is electronically secured and cannot be opened until the lifting platform is in the highest position.
6. If the lifting platform is installed outdoors with a safety gate, the lifting platform may not be left in the highest position, as the unlocked gate will be able to rattle in windy weather. The platform must therefore be lowered a bit after use so that the gate locks automatically.

To lower the lifting platform from its highest level

1. The wheelchair user drives onto the lifting platform.
2. When using the safety gate, it must be closed before the platform can be operated.
3. Activate the operating panel by pressing button (2) to lower the lifting platform. Button (2) is active for as long as it is held down.
4. When the lifting platform is at its lowest level, the access ramp will be lowered, and the user can drive off the lifting platform.

If the lifting platform is overloaded, the overload indicator (4) is on. After the overload has been removed, the platform can operate again.

2.03

Safety functions

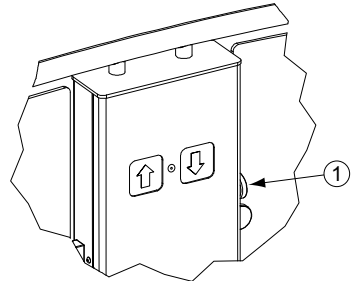
Important!

Individual and specific consideration must be given to how an emergency summoning system must work. One or more responsible people should be appointed to help with the correct use of the lifting platform. It should always be possible to call those responsible in any emergency situation. The users must be informed of who holds this responsibility.

Description of emergency stop

The emergency stop must be used in emergencies only. If the emergency stop is activated owing to a malfunction, the dealer must be contacted before the LP5 & LP5+ are used again.

The emergency stop (1) is positioned in the centre of the operating panel. It stops all movement when activated.



Important!

Pull out the emergency stop and briefly press the operating button twice to restart the LP5 & the LP5+.

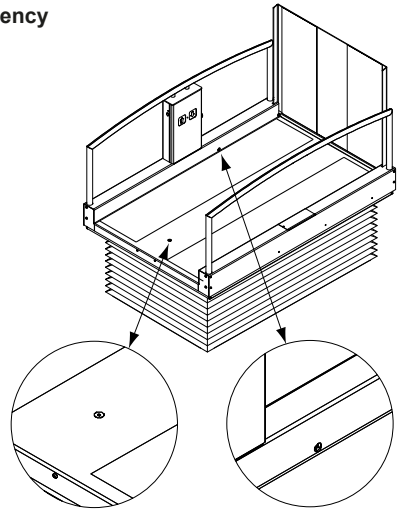
Description of mechanical emergency lowering – lifting platform

The emergency lowering must be used in emergencies only. The emergency lowering must be reset after use. This requires qualified assistance.

You must contact the dealer before using the LP5 & the LP5+ again.

Great attention and the required mobility is needed to use the emergency lowering, which is why the person responsible for the use of the lifting platform should be called.

The person responsible must have read the manual so that he can be called at any time to assist a user.



The platform is lowered by carefully turning the Allen screw that is located in the floor of the lifting platform until the platform begins to descend.

Description of emergency lowering – access ramp

The access ramp is fitted with a bolt in the actuator. Unscrew this bolt and the access ramp opens up.

Important!

When the bolt has been removed from the access ramp, the access ramp is no longer attached – hold the access ramp firmly when removing the bolts.

Emergency call: (if mounted)

If assistance is needed press the alarm button and the automatic emergency call will after 10 seconds be transferred to a preset telephone number.

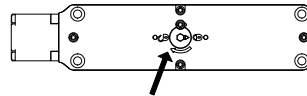
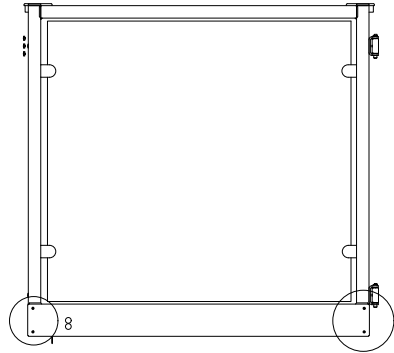
Safety curtain

Ensures that nobody can move in beneath the platform when it is at its highest level and thereby risk getting caught when the lifting platform is lowered. The safety curtain is fitted upon delivery.

Emergency opening of upper landing door:

If the platform has an upper level door, it can be forced to open during emergencies. Remove the four bolts in each corner of the front plate below the window pane. Remove the front plate carefully and make sure it doesn't come loose and fall down while removing the bolts.

Find the safety lock - It has a bright red lid and is located at the side of the door. Loosen the center-most bolt on the lid and turn the black disk at the center to the 'open' position. The door can now be opened manually.



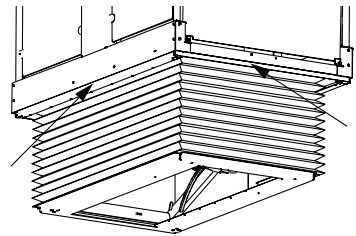
Fitting of safety curtain

1. The surfaces of the safety curtain are pre-fitted with the Velcro side of Velcro tape.
2. Place a broomstick or similar through the scissors on the narrow side of the lifting platform.
3. Put the safety curtain over the upper plate and place it on the broomstick, freely suspended.
4. Lift and fit the safety curtain, starting with the corners away from the access ramp; press the Velcro firmly to the upper plate of the lifting platform.
5. Lift and fit the safety curtain, pressing it firmly to the Velcro in the opposite corners on the upper plate of the lifting platform.
6. Remove the broomstick.
7. Position the safety curtain so that it follows the edge of the bottom plate on the lifting platform.

Safety cut-out function

If anyone or anything gets caught beneath the platform when it is lowered, the descent will stop as soon as the safety cut-out function is activated.

Reset the safety function by pressing the »↑« button and removing the object that activated the safety cut-out function.

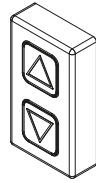


Overload protection

The design of the platform provides the platform a protection against overload both during lifting and lowering. This means that the platform will always raise a little when the down button is activated. In case of overload the platform will not raise or lower.

Extra operating panel

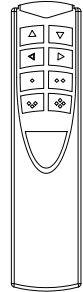
Extra operating panel with function buttons »↑« »↓« for mounting on walls and similar. The operating panel is available with a lock.

**Wireless operation**

Use this when there are one or more independent users. This allows users to control the lifting platform without being dependent on a helper.

Important!

If the user is independent, the remote control must be fastened to him/her in such a way that it is always within the user's reach.

**Two-way voice communication**

It is possible to establish two-way voice communication. If assistance is needed press the alarm button and the automatic emergency call will after 10 seconds be transferred to a preset telephone number.

Heating cable

For outdoor installation in cold environments it is recommended that a heating cable is always built into the lifting platform's base, where space has been provided for it. Alternatively, the heating cable can be cast into a concrete base below the base plate. The purpose of the cable is to keep the lifting platform free of snow and ice.

3.00**Dismantling and transport****3.01****Transport**

The lifting platform is delivered assembled on a transport pallet.

3.02**Packaging during transport**

The lifting platform shall always be transported in its original packaging.

4.00 Maintenance and storage

4.01 Cleaning

The LP5 & LP5+ are cleaned with a sponge or brush and soapy water. The LP5 & LP5+ can be sprayed or rinsed at ordinary water pressure; they must not be rinsed under high pressure. Never use acids, bases or solvents for cleaning.

4.02 Storage and keeping

No special requirements.

The lifting platform contains electronics that must be disposed of according to current rules.

4.03 How is corrosion avoided?

The LP5 & LP5+ are made of corrosion-resistant materials and require no further corrosion prevention.

Avoid using salt on the platform as it will reduce the platform's lifetime.

4.04 What maintenance is required by the owner?

Cleaning as required.

Keep the space around the lifting platform clean to avoid interruptions caused by foreign objects.

5.00 Servicing and useful life

5.01 Useful life and servicing

The LP5 & LP5+ must be inspected in accordance with the national law and at least once a year.

- The LP5 & LP5+ have an expected life span of 15 years with regular daily use.
- The lifting actuator must be replaced after 10 000 lifts.

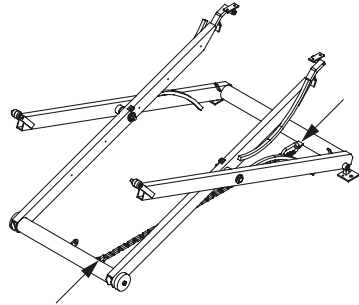
The life span is based on correct usage, cleaning, and maintenance, as well as annual inspection and maintenance by qualified personnel or the Guldmann Service Team. After this period, the LP5 & LP5+ must be assessed by qualified personnel before future use.

Spare parts lists and drawings can be ordered from the manufacturer or the distributor.

Important!

The accompanying safety chain/strap **MUST** be used when a service engineer is working under the lifting platform.

During the service inspection, a report must be kept of what has been inspected and replaced. Parts that are worn out or defective must be replaced with new spare parts from Guldmann™.



1. Visually checking the product
 - Check the product for signs of wear and tear.
 - Check the product for any faults.
 - Check that there is no other form of damage to the product.

2. Testing of the product as for normal use
 - Check all the product's functions, loaded and unloaded.
 - Check that the emergency lowering works.

3. Checking the electrical state of the product
 - Check electrical functions and signals.
 - Check the wiring for faults and defects.
 - Check the cable bushings.
 - Check connection options, connectors, etc.
 - Check the seal on the control box.

4. Checking the mechanical state of the product
 - Clean dirt and other impurities from the product.
 - Inspect and assess vital parts of the product.
 - Replace any parts of the product that are defective or worn out.
 - Check and tighten vital parts.
 - Lubricate the product.

5. Go through point 2 again, to check that everything works.

6. Did any new problems arise/were new problems noted in point 5?
 - If new problems arose, go back to point 2.
 - If no new problems were noted, finish the inspection.

5.03**Troubleshooting**

1. Is the emergency stop activated?
 - The emergency stop is released by turning the button until it pops out.

2. Is the platform turned on?
 - Turn on the socket.
 - If the platform has been disabled, wait for around 3 hours until the batteries are charged.

3. Is there power in the socket; could the fuse have blown?
 - Check the fuses and change the fuse if necessary.

4. Can the lifting platform go up but not down?
 - Clean any impurities from the safety list underneath the platform.
 - Check the safety list underneath the platform for other blockages.

5. Is the platform overloaded?
 - Remove some of the load from the lifting platform.
 - Observe the maximum load indication of the platform.

6. Does the ramp go up and down but the platform does not go up or down?
 - See point 2.

If the points above do not solve the problem, please contact the Guldmann Service Team or your distributor.

Technical specifications**Dimensions**

LP5 exterior dimensions (LxWxH)	1602 x 1076 x 728 mm 64" x 43" x 29"
LP5 interior dimensions (LxW)	1602 x 900 mm 64" x 36"
LP5+ exterior dimensions (LxWxH)	1602 x 1076 x 1233 mm 64" x 43" x 49"
LP5+ interior dimensions (LxW)	1602 x 900 mm 64" x 36"
Safety gate (WxH)	945 x 1100 mm 37" x 44"

Lifting height

LP5 and LP5+	140 to 830 mm* 5 ⁵ / ₈ " - 32 ¹ / ₂ " *
------------------------	--

* Be aware of local regulations in relation to lifting height.

Weight

LP5	118 kg / 260 lbs.
LP5+	150 kg / 330 lbs.
Safety gate	76 kg / 167 lbs.

Maximum load	360 kg / 792 lbs.
Lifting speed	13 mm/sec. / ½" per sec
Electrical connection	230V/115V (USA: 120V/115V)
Power consumption on stand-by	3 W
Power consumption in use	14.7 W
Batteries	2 x 12V/4.5 Ah
	Gastight and maintenance-free
Noise level52 dB(A)

Cap class

Lifting platform – components	IP 65
Operating panel	IP 67
Permissible connection time/intermittence factor (Work/Break ratio in per cent)	10/90

7.00**EC-declaration of conformity**

The product is manufactured in compliance with the Council Directive 2006/42/EC of May 17th 2006 on machinery and amending Directive 95/16/EC.

8.00**Warranty and service conditions**

A.**Warranty**

Guldmann warrants its equipment is free from material defects under normal use, and will perform substantially in accordance with the specifications set forth in documentation provided with the equipment.

This express warranty shall be in effect for one year from the date of original purchase and installation (the "Warranty Period"). If a valid claim is made during the Warranty Period for malfunction or equipment defect, Guldmann will repair or replace the equipment at no additional cost to you. Guldmann retains sole discretion as to whether the equipment will be repaired or replaced.

The warranty does not cover any part of the equipment that has been subject to damage or abuse by the user or others. The warranty does not cover any part of the equipment that has been altered or changed in any way by the user or others. Guldmann does not warrant that the lifting device functions will meet your requirements, be uninterrupted or error free.

The warranty set forth is in lieu of all other express and implied warranties, whether oral, written or implied, and the remedies set forth above are your sole and exclusive remedies. Only an authorized officer of Guldmann may make modifications to this warranty, or additional warranties binding on Guldmann. Accordingly, additional statements such as advertising or presentations, whether oral or written, do not constitute warranties by Guldmann.

This warranty shall be null and void if the equipment is operated and maintained in any manner inconsistent with its intended use or the instructions provided with the product. Further, in order for the warranty to remain in effect for the full Warranty Period, all service to the equipment must be provided by a Guldmann certified technician. Any parts or components repaired or replaced by a Guldmann certified technician will be guaranteed for the remainder of the Warranty Period.

B.**Service or Repair**

Contact Guldmann Repair for an authorization to return any defective item during the Warranty Period. You will be provided with a return authorization number and address for returning the item for warranty service or replacement. Do not return items to Guldmann under warranty without receiving a Return Authorization Number.

If mailing the item, pack it carefully in a sturdy carton to prevent damage. Include your Return Authorization Number, a brief description of the problem and your return address and phone number. Goldmann does not assume the risk of loss or damage while in transit, so it is recommended you insure the package.



V. Guldmann A/S

Corporate Office:

Tel. +45 8741 3100

E-mail info@guldmann.com

www.stepless.com

Guldmann Inc.

Tel. 800 664 8834

Tel. 813 880 0619

Fax 813 880 9558

info@guldmann.net

www.stepless.net