



Wall rail and GHZ travers rail Technical specifications

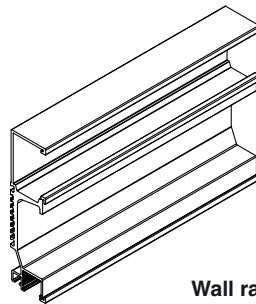
Materials

Materiale : Aluminium 6063 T6
Surface treatment : Powder coated, white RAL 9016

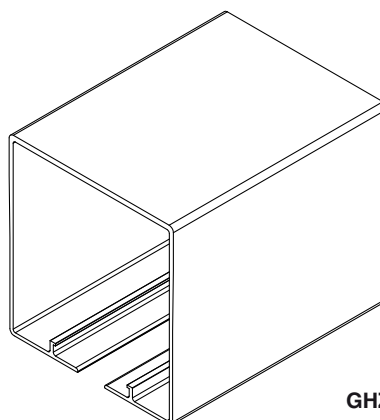
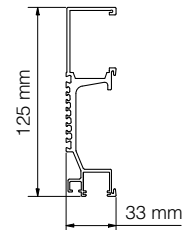
Chemical composition (%) EN 573-3									
Si	Fe	Cu	Mn	Mg	Cr	Zn	Ti	Other elements	
								Each	Together
0.20-0.60	0.35	0.10	0.10	0.45-0.90	0.10	0.10	0.10	0.05	0.15

Weight

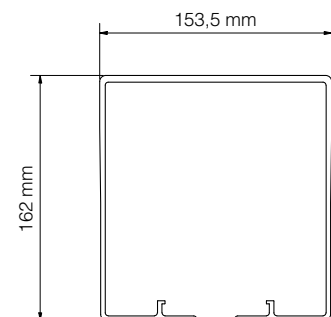
Rail weight per meters	
Wall rail	GHZ travers rail
1,9 kg/m	4,9 kg/m



Wall rail



GHZ travers rail



| Time to care |