



Turntable, electric Technical specifications

Function

Usage : In single track Guldmann rail system in corridors with no space for switch tracks
 Connecting rail : Rail A
 Operation : Hand control

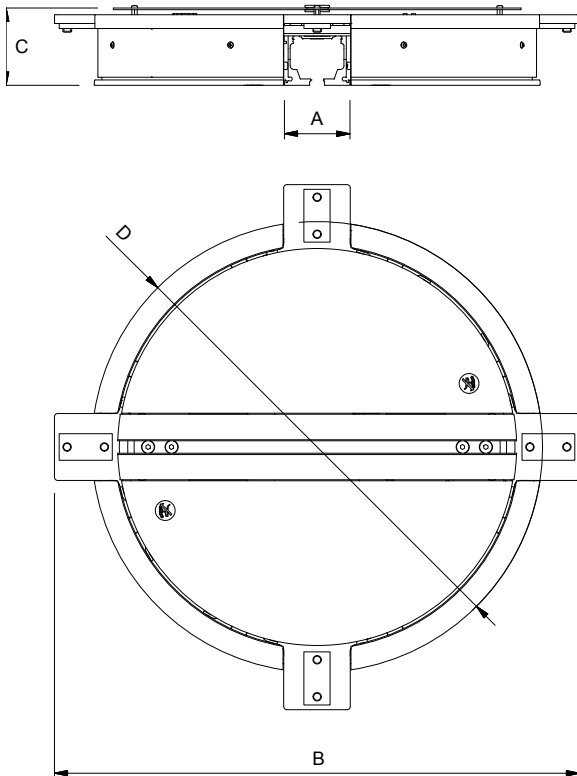
Compatibility : GH turntable must only be used in combination with Guldmann rail system.

Weight and materials

Turntable : 17.5 kg
 Turntable : Powder varnished steel and anodized aluminium

Measurements

A : 63 mm
 B : 496 mm
 C : 74.5 mm
 D : 426 mm



Safety

Electric : Electronically secured
 Mechanical : Secured against derailing and jamming

Electrical parts

On/off : Automatically on activation
 Motor consumption : 24V DC 8 W
 Periodic load : 10/90
 Power supply :
 Primary : 230V AC
 Secondary : 24V AC 60 VA

Classification, tightness

Hand control : IP 54

Service inspection

Service check : At the same time as the rail system
 Service agreement : To be agreed with Guldmann or local Guldmann distributor.

Accessories/Miscellaneous

Infrared remote control
 Receiver : To be mounted inside w. plug
 Sender : Hand control with batteries
 Range : 5-10 metres
 Diffusion : approx. 25 degrees

Hand control : With cable
 Wall switch : Wall integrated
 Power supply : Transformer

Cover turntable grey : L x W x D (1250 x 52.5 x 0.8 mm)
 Cover turntable white : L x W x D (1250 x 52.5 x 0.8 mm)
 Profile for ceiling

Marking

The product is manufactured in compliance with regulation (EU) 2017/745 of the European parliament and of the Council of 5 April 2017, as medical device Class I.

Item Number/Model

550663 : Turntable, electric – max 275 kg
 551430 : Turntable, electric, coated – max 275 kg
 552882 : Turntable, electric – max 375 kg
 552984 : Turntable, electric, coated – max 375 kg

Time to care