



Guldmann Inc.
 Tel. 800 664 8834
 Tel. 813 880 0619
 info@guldmann.net
 www.guldmann.net

Combi-lock Technical specifications

Function

Usage : Ensures the joining of
 Guldmann rail systems

Weight

Combi-lock : 4.6 lbs (2.1 kg)
 Safety lock
 on fixed rail : 2.42 lbs (1.1 kg)
 on traverse rail : 2.2 lbs (1.0 kg)

Materials

Safety lock
 on fixed rail : Rustproof steel
 on traverse rail : Rustproof steel
 Covers : Plastic

Measurements

A : 4½" (114 mm)
 B : 4" (99 mm)
 C1 : 7¾" (195 mm)
 C2 : 7" (175 mm)
 D1 : 11" (280 mm)
 D2 : 4" (100 mm)
 E : 4¾" (119 mm)

Markings

The product is manufactured in compliance with regulation (EU) 2017/745 of the European parliament and of the Council of 5 April 2017, as medical device Class I.

Item Number/Model

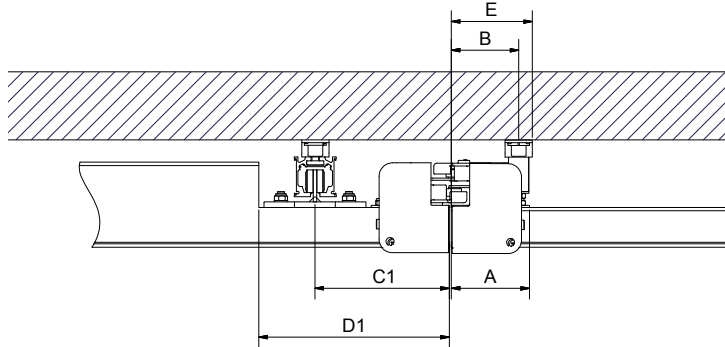
555237 : Combi-lock

Patents

: Patent Pending
 Design Protected

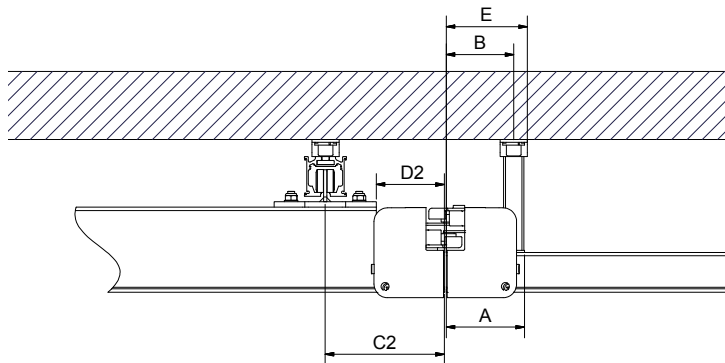
SWL

GH1, GH1F, GH3, GH3+ : Max 605 lbs (275 kg)
 GH3 Twin : Max 1100 lbs (500 kg)



SWL

GH1, GH1F, GH3, GH3+ : Max 825 lbs (375 kg)
 GH3 Twin : Max 1100 lbs (500 kg)



Time to care