



**Guldmann Inc.**  
 Tel. 800 664 8834  
 Tel. 813 880 0619  
 info@guldmann.net  
 www.guldmann.net

## Turntable, electric Technical specifications

### Function

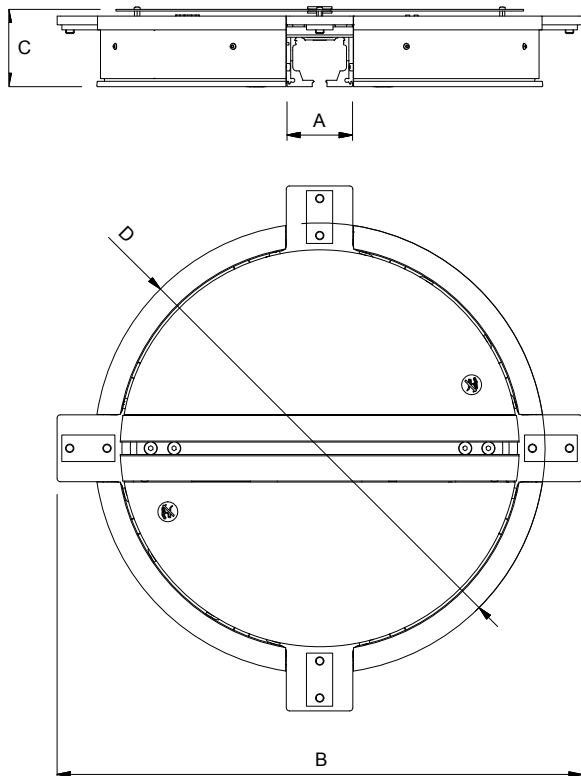
Usage : In single track Guldmann rail system in corridors with no space for switch tracks  
 Connecting rail : Rail A  
 Operation : Hand control  
 Compatibility : GH turntable must only be used in combination with Guldmann rail system

### Weight and materials

Turntable : 39 lbs (17.5 kg)  
 Turntable : Powder varnished steel and anodized aluminium

### Measurements

A : 63 mm  
 B : 496 mm  
 C : 74.5 mm  
 D : 426 mm



### Safety

Electric : Electronically secured  
 Mechanical : Secured against derailing and jamming

### Electrical parts

On/off : Automatically on activation  
 Motor consumption : 24V DC 8 W  
 Periodic load : 10/90  
 Power supply  
 Primary : 230V AC  
 Secondary : 24V AC 60 VA

### Classification, tightness

Hand control : IP 54

### Service inspection

Service check : At the same time as the rail system  
 Service agreement : To be agreed with Guldmann or local Guldmann distributor

### Accessories/Miscellaneous

Infrared remote control  
 Receiver : To be mounted inside w. plug  
 Sender : Hand control with batteries  
 Range : 5-10 metres  
 Diffusion : approx. 25 degrees

Hand control : With cable  
 Wall switch : Wall integrated  
 Power supply : Transformer

Cover turntable grey : L x W x D (1250 x 52.5 x 0.8 mm)  
 Cover turntable white : L x W x D (1250 x 52.5 x 0.8 mm)  
 Profile for ceiling

### Marking

The product is manufactured in compliance with regulation (EU) 2017/745 of the European parliament and of the Council of 5 April 2017, as medical device Class I.

### Item Number/Model

550663 : Turntable, electric  
 – max 605 lbs (275 kg)  
 551430 : Turntable, electric, coated  
 – max 605 lbs (275 kg)  
 552882 : Turntable, electric  
 – max 825 lbs (375 kg)  
 552984 : Turntable, electric, coated  
 – max 825 lbs (375 kg)

**Time to care**