



Guldmann Inc.
Tel. 800 664 8834
Tel. 813 880 0619
Fax 813 880 9558
info@guldmann.net
www.guldmann.net

Free-standing single rail system, adjustable Technical specifications

Functions

Max. capacity : 560 lbs (255 kg)

Weight and Materials

Free-standing single rail system, adjustable
2,0 m - 2,5 m - 3,0 m:

Total weight : 109 lbs (49,5 kg), 115 lbs (52 kg),
120 lbs (54,5 kg)

Top brackets and rail : 50 lbs (22,5 kg), 55 lbs (25 kg),
61 lbs (27,5 kg)

Vertical poles w. feet : 30 lbs (13.5 kg) each

Rail and poles : Anodized aluminium
Feet : Powder varnished steel
Brackets : Powder varnished steel

Measurements

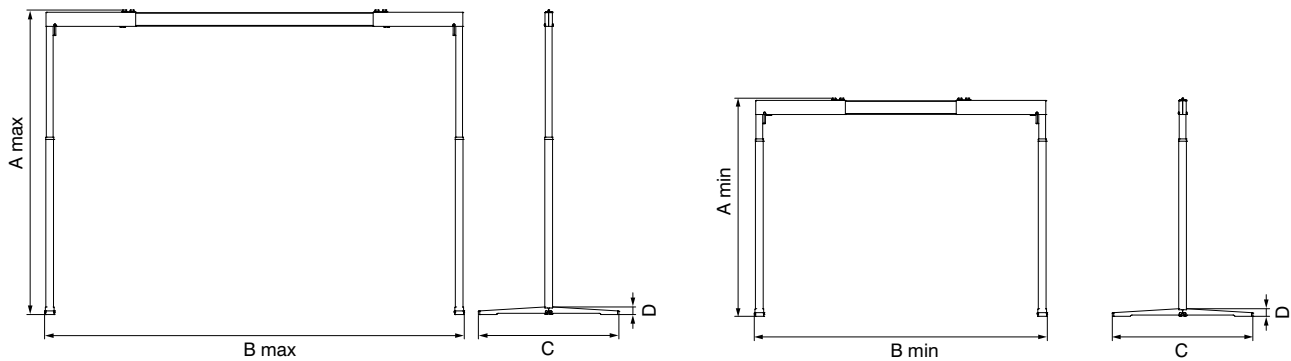
A min : 2020 mm
B min : 2220 mm - 2720 mm - 3220 mm
A max : 2820 mm
B max : 3390 mm - 3890 mm - 4390 mm
C : 1303 mm
D : 71 mm

Labelling

The product is manufactured in compliance with regulation (EU) 2017/745 of the European parliament and of the Council of 5 April 2017, as medical device Class I.

Item Number/Model

553000 : Free-standing single rail system,
adjustable 2,5 m
556000 : Free-standing single rail system,
adjustable 2,0 m
556297 : Free-standing single rail system,
adjustable 3,0 m



Time to care

Guldmann™