



Guldmann Inc.
Tel. 800 664 8834
Tel. 813 880 0619
info@guldmann.net
www.guldmann.net

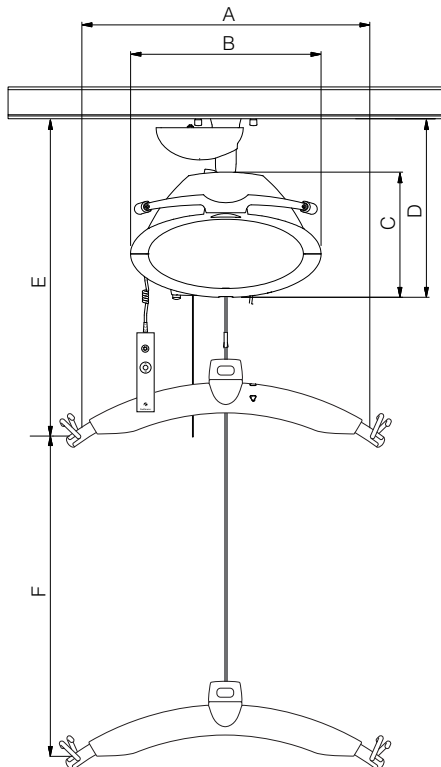
GH1 F Lifting module Technical specifications

Weight and materials

SWL	: 175 kg (385 lbs), 205 kg (450 lbs), 255 kg (560 lbs)
Lifting module	: 11.0 kg
Lifting module incl. Trolley	: 12.2 kg
Covers, top and bottom	: Impact-resistant UL 94 V-0 flame retardant recyclable plastic

Dimensions

A	: 580 mm (22 3/4")
B	: 353 mm (13 3/4")
C	: 232 mm (9")
D	: 332 mm (13")
E, min	: 582 mm (22 3/4")
F	: 2500 mm (98")
Depth of hoist	: 200 mm (7 3/4")



Functions

Operation	: Hand control
Sound level	: 52 dB (A)

Safety

Emergency stop	: Yes
Emergency lowering device	: Yes, electrical
Control of lifting strap	: Yes
Cut-off angle	: 45° along the rail 10° across the rail

Electronics

On/off	: Automatic when used. Soft start/stop. Overload protection.
Battery	: 1 x 24 V NiMH, 2.1 Ah
Max charge time	: 3 hours
Battery protection	: At battery voltage below 22 V the indicator light turns yellow. The hoist stops if the voltage drops below 20 V
Power supply Supply voltage, power supply	: 36 V DC, 0.83 A : 100-240V AC, 47-63 Hz

Protection classification (IP) according to IEC 60529

Lifting module	: IP 20
Hand control	: IP 42
Charging station	: IP 20
Power supply	: IP 20

Labelling

The product is manufactured in compliance with regulation (EU) 2017/745 of the European parliament and of the Council of 5 April 2017, as medical device Class I.

Classification

Pursuant to ISO 9999

Patents

: PA 2008 00888
: PA 2008 00894
: PA 2008 00895

Time to care



Guldmann Inc.
 Tel. 800 664 8834
 Tel. 813 880 0619
 info@guldmann.net
 www.guldmann.net

GH1 F Lifting module Technical specifications

GH Lifting modules, configurations			Options													
Guldmann hoist type	Lifting speed, mm/s (Normal / Turbo)	Load in kg	Wi-Fi enabled	Data transmission shown on MyGuldmann	Hand control with display	Function on demand	Scale	Class III scale	Trainer	Coating	UL	Automatic charging	Charging in docking station	Positioning lock	IR remote ^{x)}	Horizontal drive motors ^{x)}
GH1 F	40/80	175								•			✓			
		205								•			✓			
		255								•			✓			

- *Optional*
- ✓ *Always included*
- x) *Not compatible with UL*

Lifting speed

85 kg load : 40 mm/sec.
 150 kg load : 40 mm/sec.
 Max capacity load, SWL : 40 mm/sec.
 Max. 5 kg load : 40/80 mm/sec.

Number of lift and Intermittent

Max. number of lifts
 in series : 55 with 85 kg/1000 mm
 Charging time : 3 hours
 Intermittent : 4 min. ON/16 min. OFF

Max. number of lifts
 in series : 39 with 175 kg/1000 mm
 : 32 with 205 kg/1000 mm
 : 21 with 255 kg/1000 mm

Charging time : 3 hours
 Intermittent : 2 min. ON/18 min. OFF



Guldmann Inc.
Tel. 800 664 8834
Tel. 813 880 0619
info@guldmann.net
www.guldmann.net

Trolley and transport trolley for GH1 F Technical specifications

Trolley for GH1 F

Functions

Max. load : 255 kg (560 lbs)

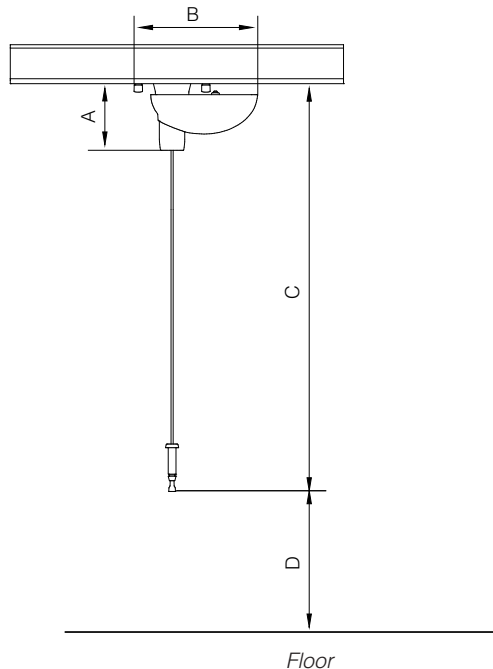
Weight

Travelling trolley : 1.2 kg (2.6 lbs)

Measurements

A : 98 mm (4")
B : 166 mm (6 1/2")
C*, max. : 2800 mm (110")
D, min. : 650 mm (25 1/2")
D, max. : 750 mm (29 1/2")
Depth of travelling trolley : 84 mm (3 1/4")

* Cord length C adapted to height of rail during installation



Transport trolley for GH1 F

Functions

Capacity, bag : 2-3 slings

2-3 lifting hangers

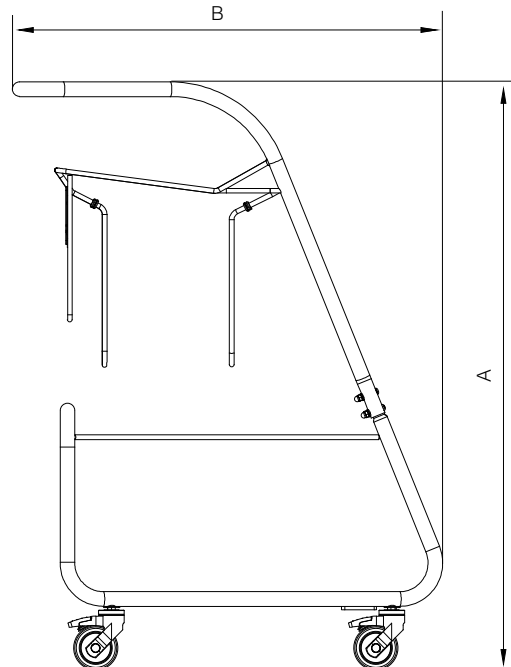
Capacity, max. : 25 kg (55 lbs)

Weight

Trolley including bag : 10.0 kg (22 lbs)

Measurements

A : 1005 mm (39 1/2")
B : 735 mm (29")
Depth of transport trolley : 409 mm (16")



Time to care

Guldmann™